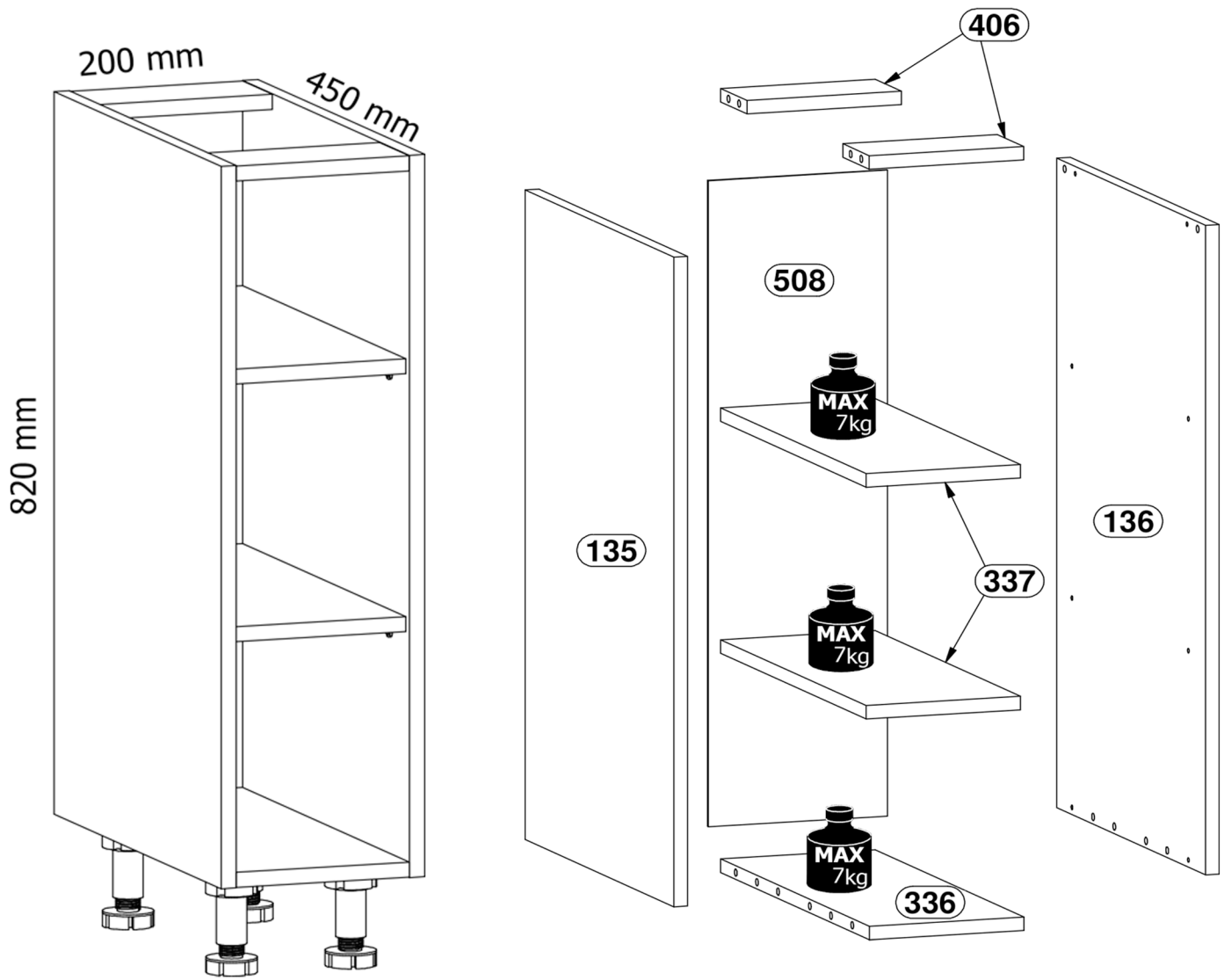
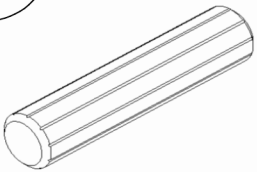


D20P

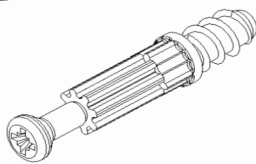


A x12

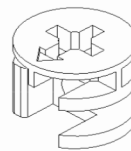


Ø8x35mm

B x8

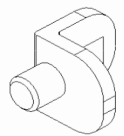


C x8

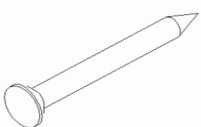


Ø15x12mm

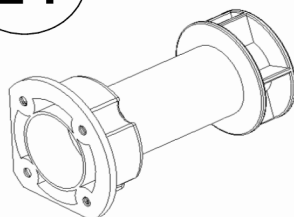
E x8



G x20



L1 x4

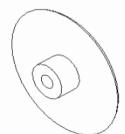


W2 x16



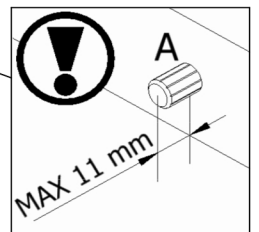
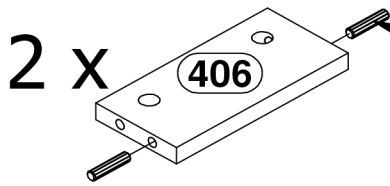
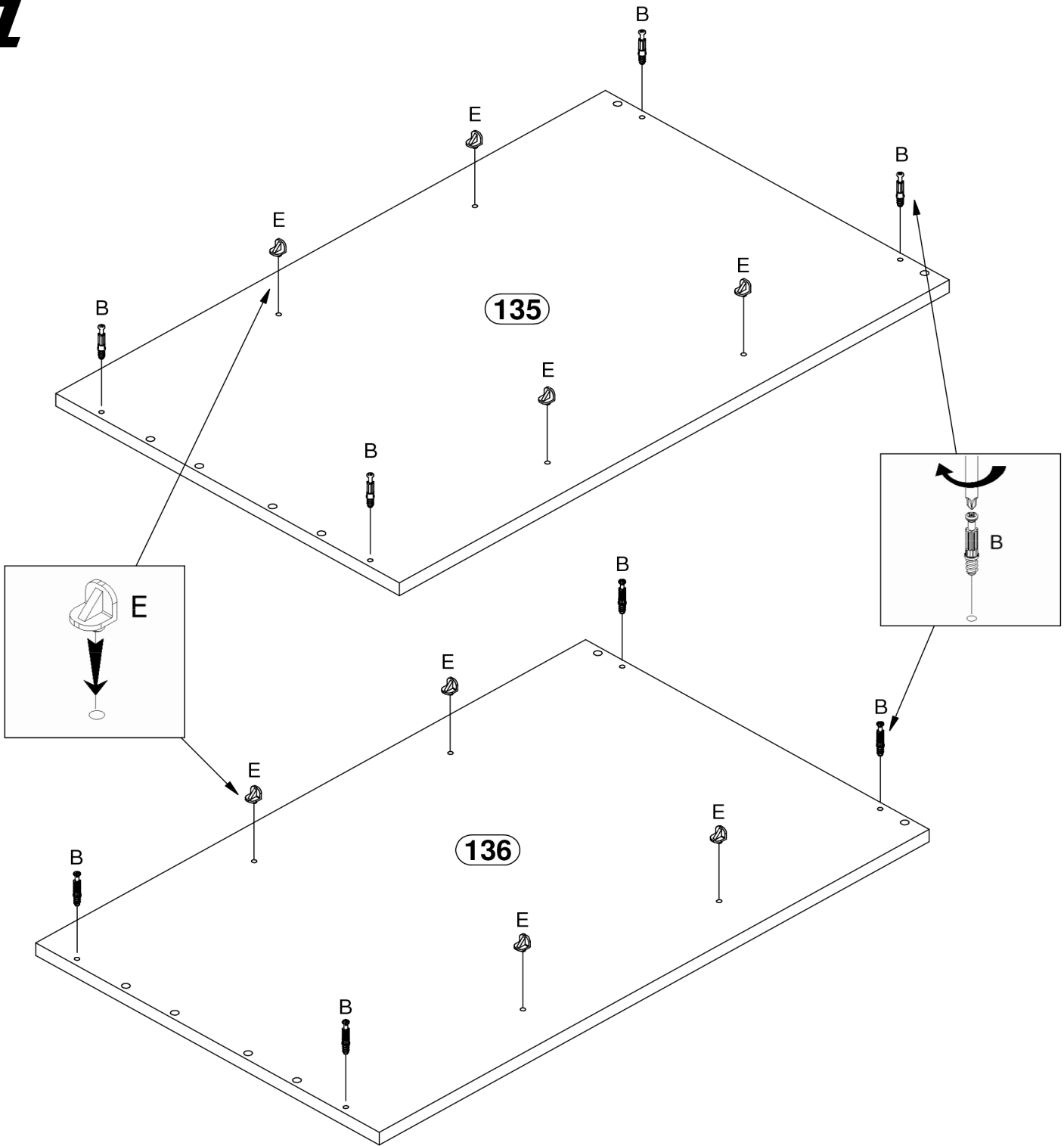
Ø3,5x16mm

Y x8

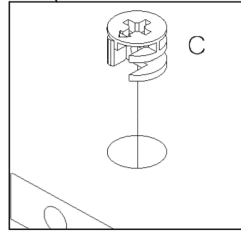
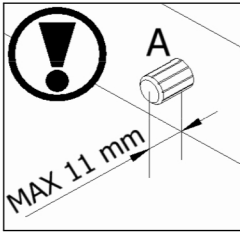
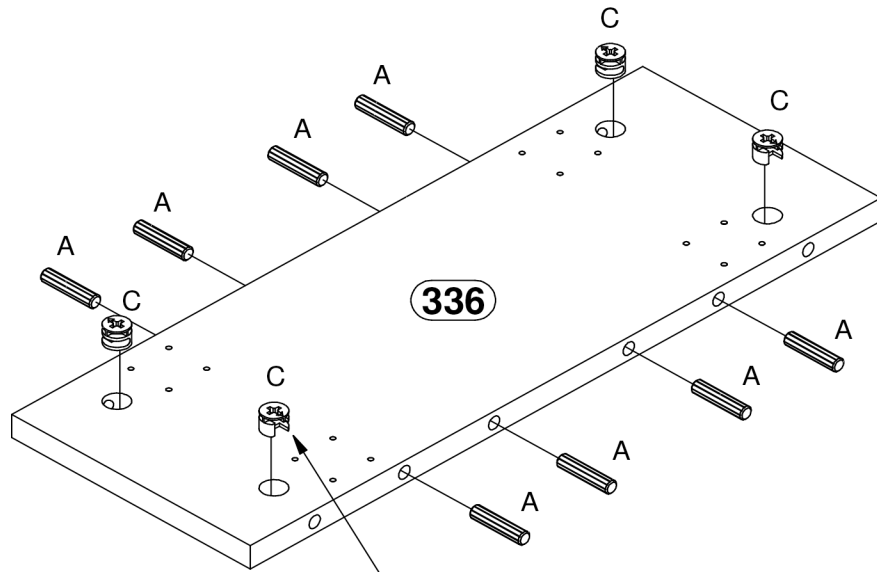


Ø18 mm

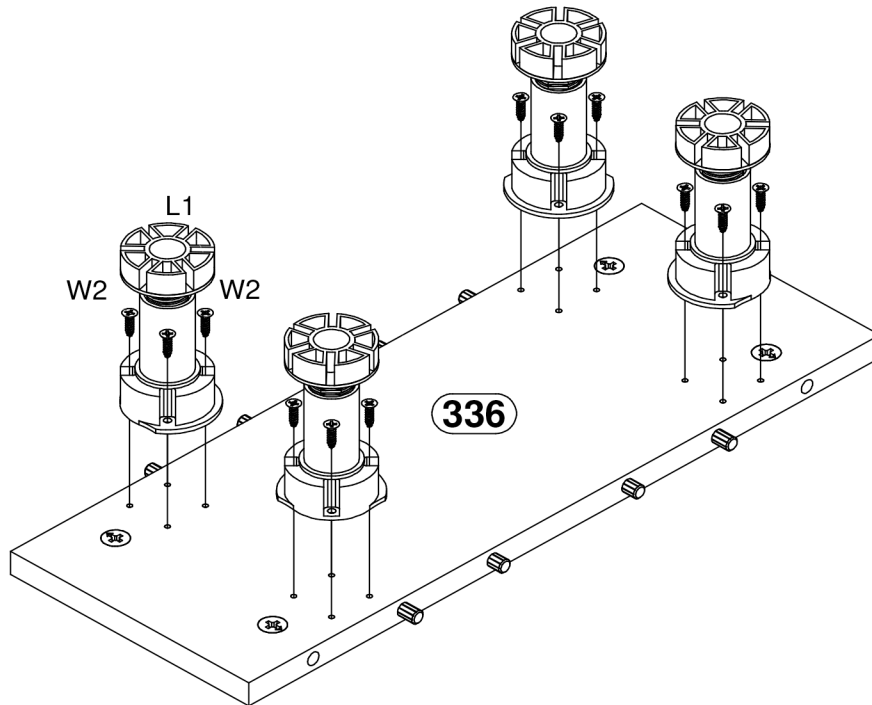
1



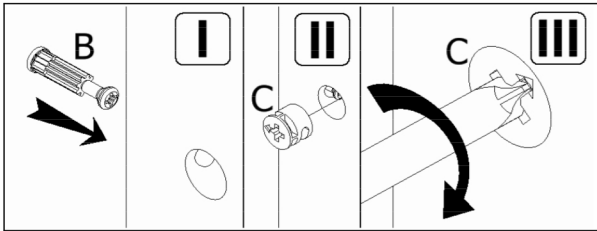
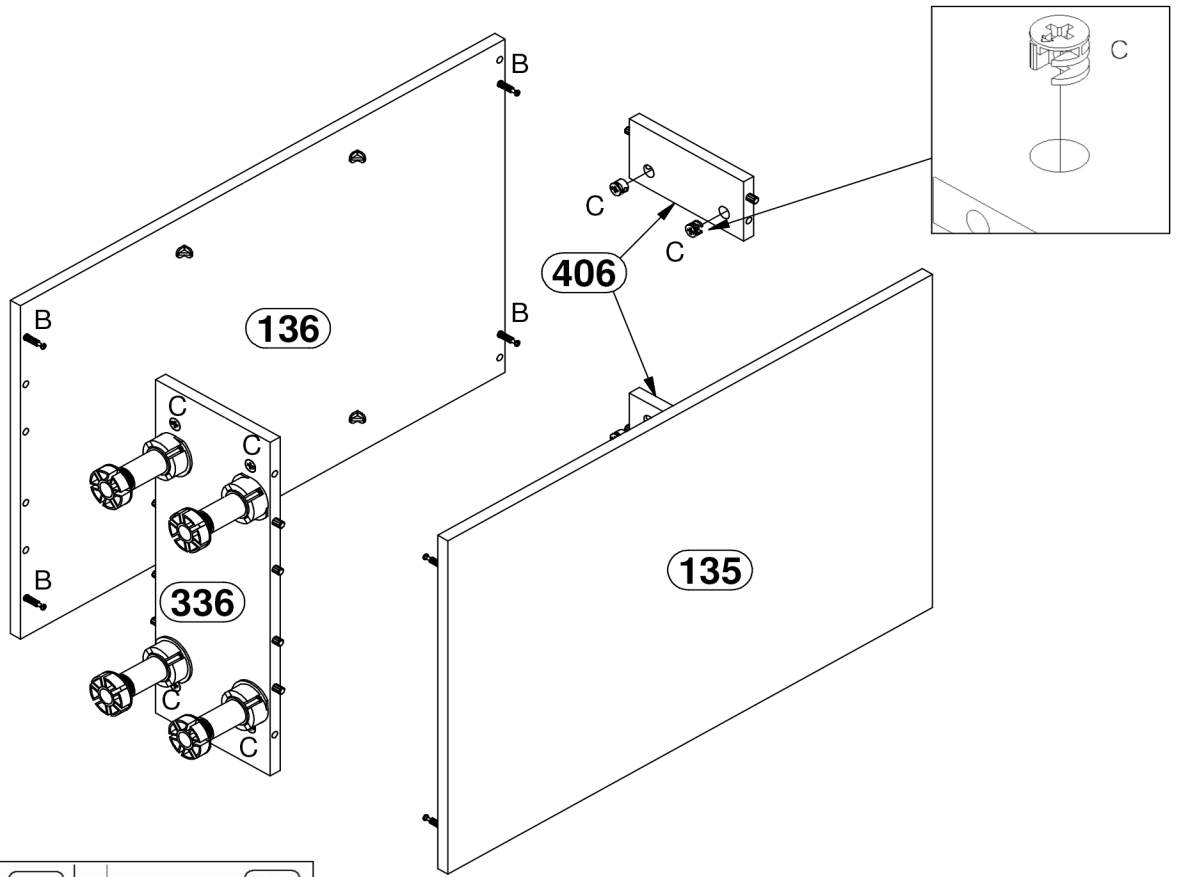
2



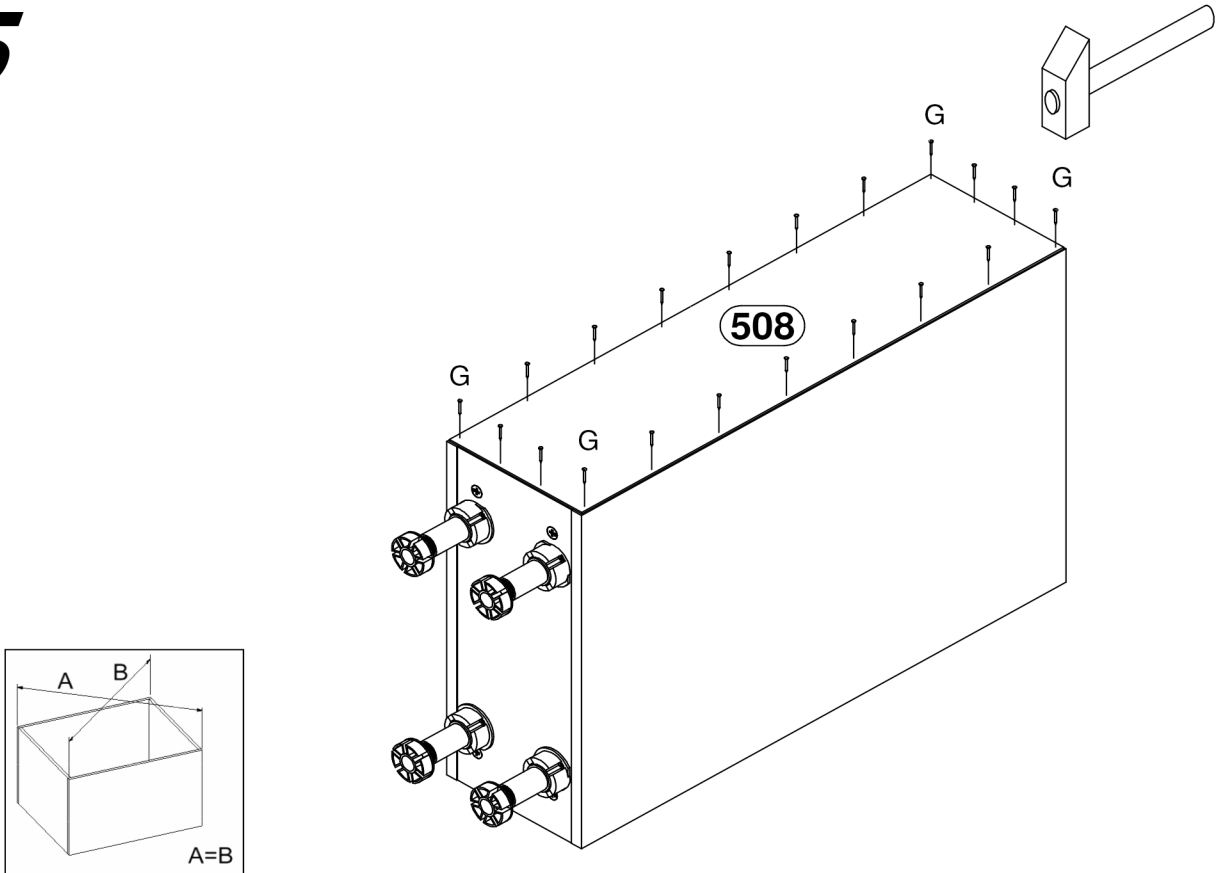
3

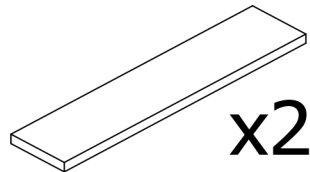
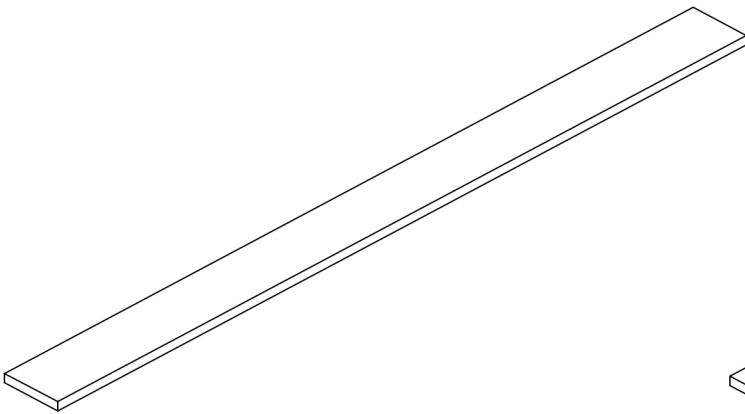
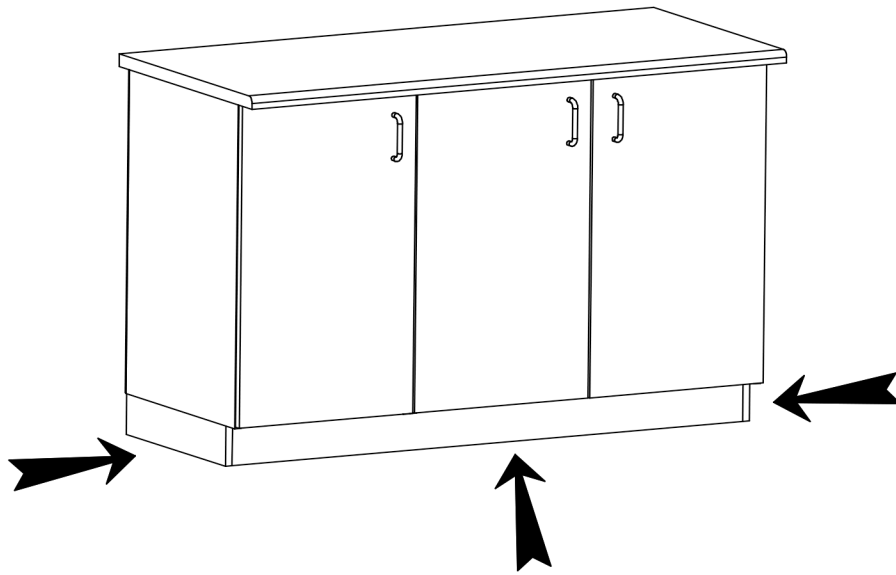


4

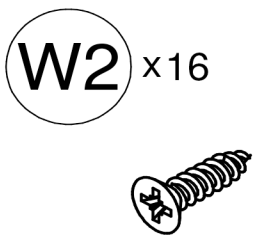
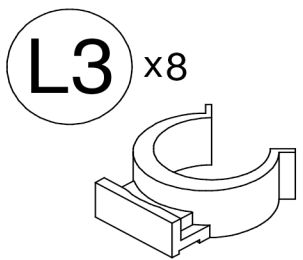
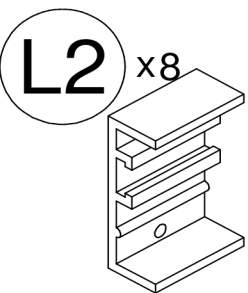


5



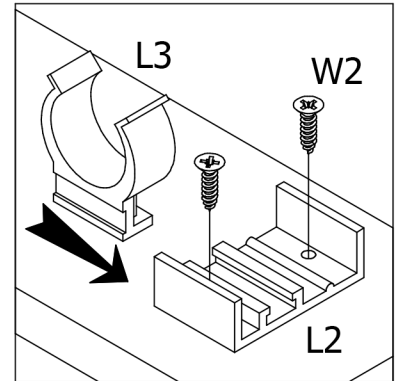
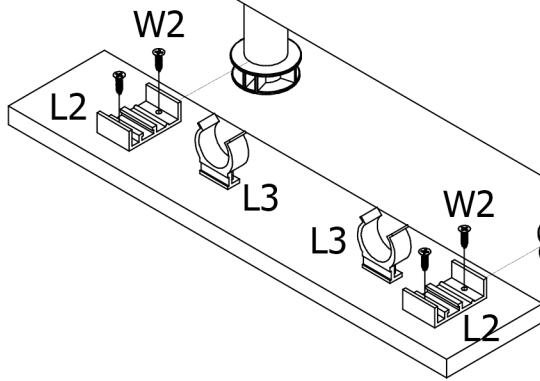


x2



Ø3,5x16

6



7

